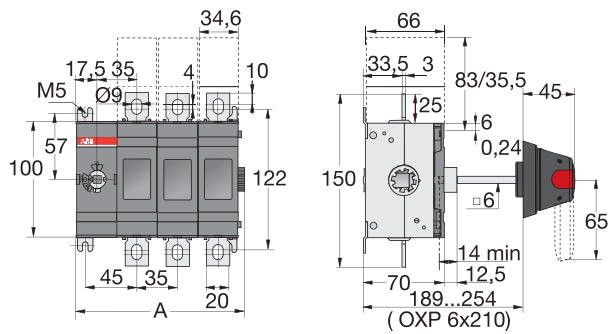
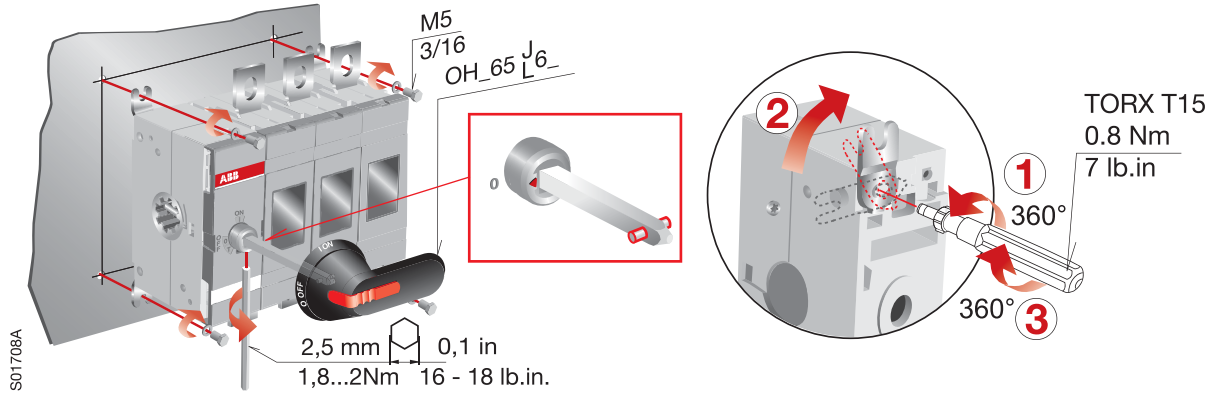


OT160-250

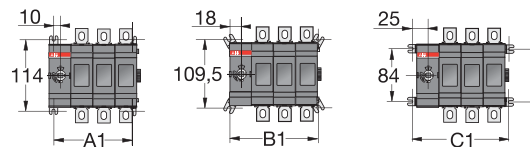
1SCC301031M0216

Document no. 34OT200-250 P

OT160EV_/OT200E_/OT250E_

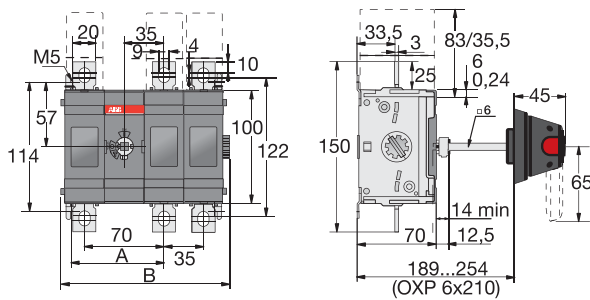


OT160EV, OT200-250E01-04

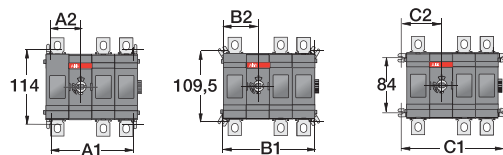


OT160/200/250				
mm	E01	E02	E03	E04
A	75,5	110,5	145,5	180,5
A1	55	90	125	160
B1	71	106	141	176
C1	85	120	155	190

M00011/S0184-3 OT200_250E01_04 G /AS



OT160EV_, OT200-250E11-22



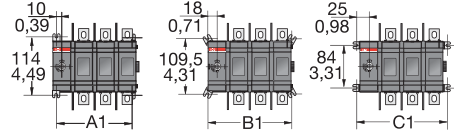
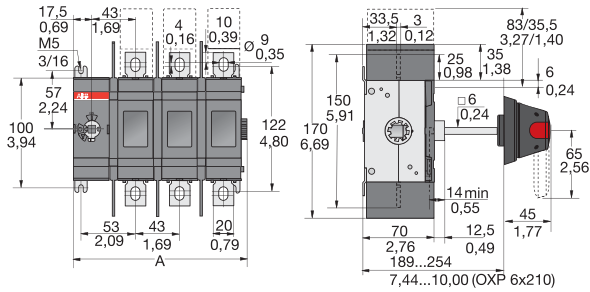
OT160/200/250						
mm	E11	E12	E13	E22	E23	E33
A	80	80	80	115	115	150
B	115,5	150,5	185,5	185,5	220,5	255,5
A1	90	125	160	160	195	230
A2	45	45	45	80	80	115
B1	106	141	141	176	211	246
B2	53	53	53	88	88	123
C1	120	155	190	190	225	260
C2	60	60	60	95	95	130

M00017/OT200_250E11_22 H /AS

OT160-250

OT200U_, OT160EV_W, OT200-250E_W

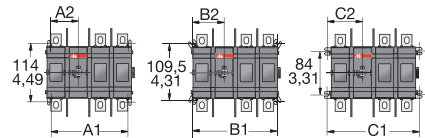
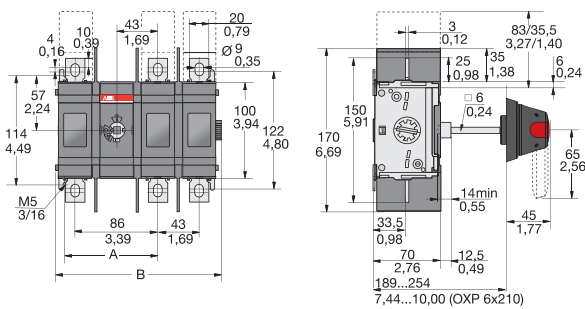
OT160-250_01-04



mm in	OT160-250			
	U01/E01W	U02/E02W	U03/E03W	U04/E04W
	mm / in	mm / in	mm / in	mm / in
A	83,5 / 3,24	126,5 / 4,98	169,5 / 6,67	212,5 / 8,37
A1	63 / 2,48	106 / 4,17	149 / 5,87	192 / 7,56
B1	79 / 3,11	122 / 4,80	165 / 6,50	208 / 8,19
C1	93 / 3,66	136 / 5,35	179 / 7,05	222 / 8,74

M00009/OT200U/E01_04W H /AS

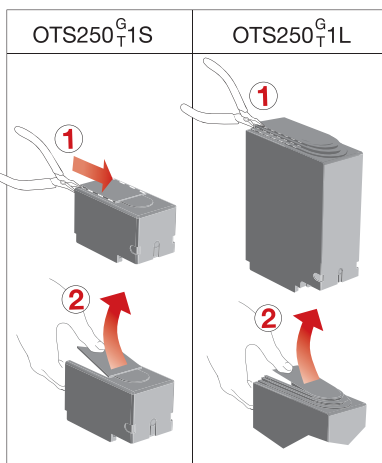
OT160-250_11-22



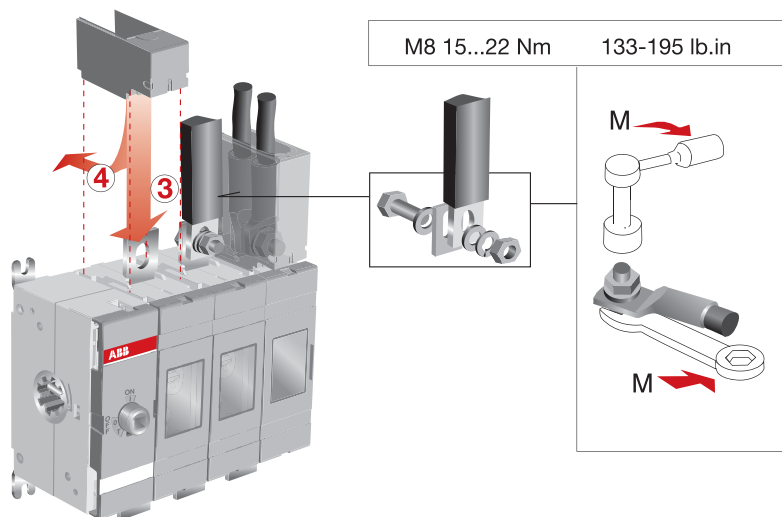
mm in	OT160-250			
	U11/E11W	U12/E12W	U13/E13W	U22/E22W
	mm / in	mm / in	mm / in	mm / in
A	96 / 3,78	96 / 3,78	96 / 3,78	139 / 5,47
B	131,5 / 5,18	174,5 / 6,87	217,5 / 8,56	217,5 / 8,56
A1	106 / 4,17	149 / 5,87	192 / 7,56	192 / 7,56
A2	53 / 2,09	53 / 2,09	53 / 2,09	96 / 3,78
B1	122 / 4,80	165 / 6,50	208 / 8,19	208 / 8,19
B2	61 / 2,40	61 / 2,40	61 / 2,40	104 / 4,09
C1	136 / 5,35	179 / 7,05	222 / 8,74	222 / 8,74
C2	68 / 2,69	68 / 2,68	68 / 2,68	111 / 4,37

M00016/OT200U/E11_22W H /AS

OTS_

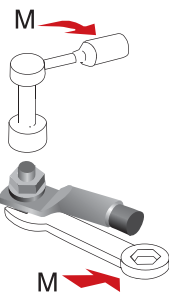


S01709A



M8 15...22 Nm

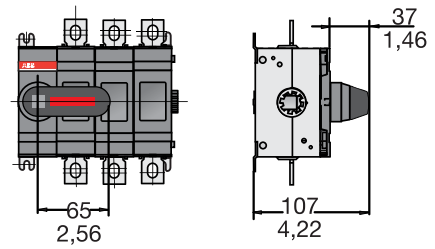
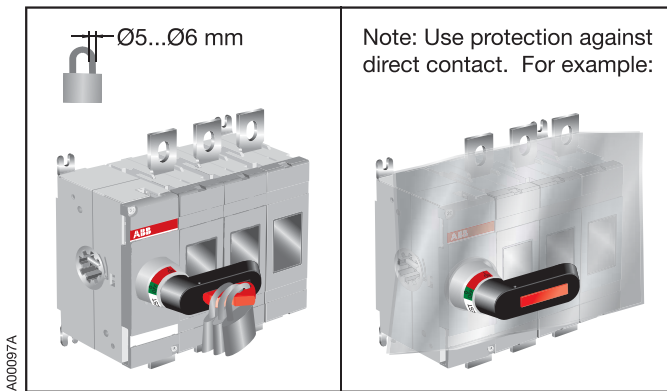
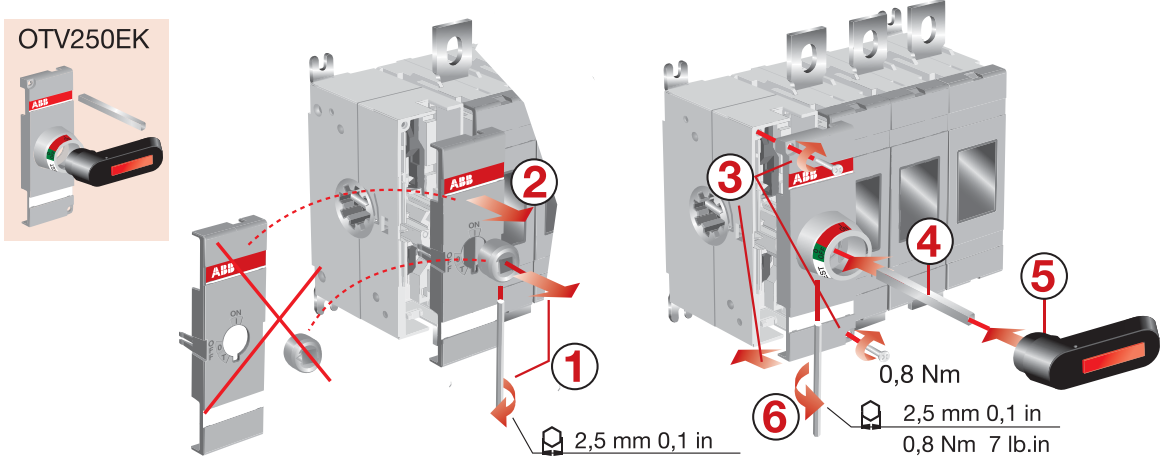
133-195 lb.in



OT160-250

OTV_

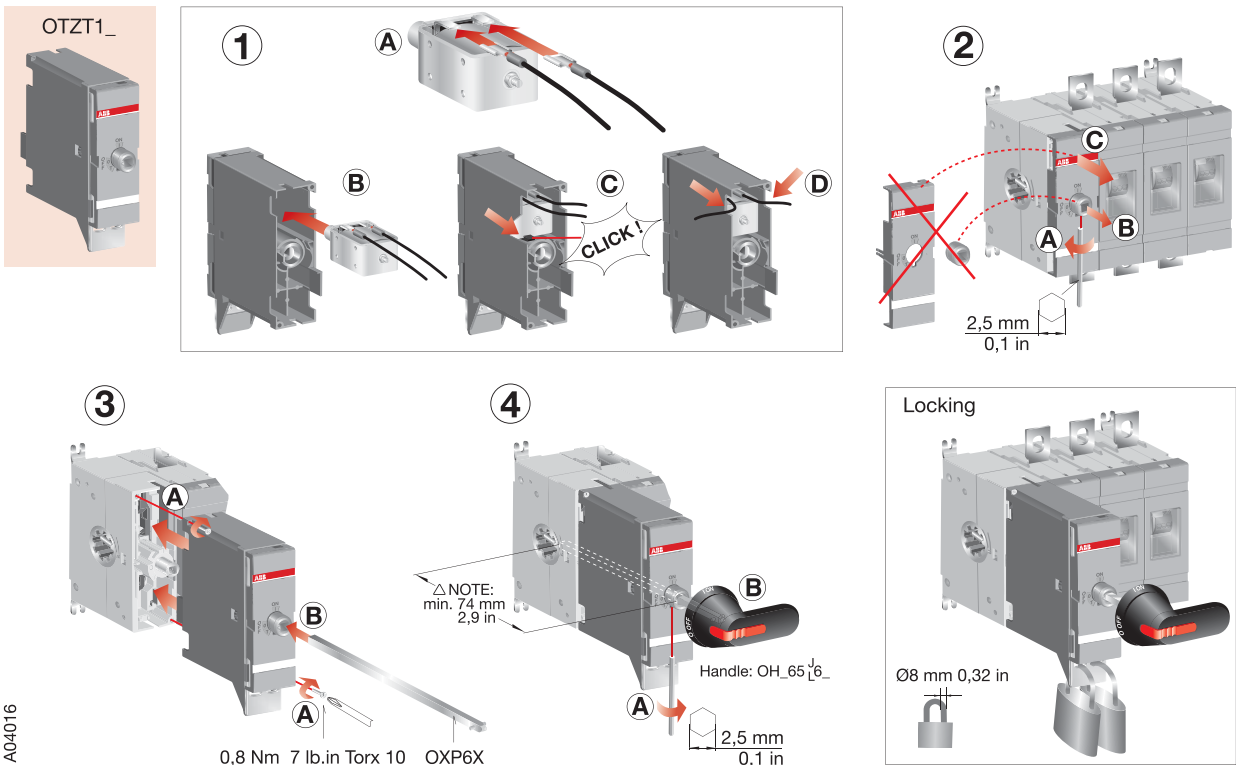
OTV250EK



A00097A

OTZT1_

OTZT1_



A04016

OT160-250

OA_

NO: OA1G10
NC: OA3G01

OR

0 1 0 Test 0

Main contact
Test contact (NO)
Test indication contact (NO)
Test contact (NC)
Test indication contact (NC)

Remove
~ 10°

S01713A

OTZ250E

0.8 Nm
7 lb.in

0.8 Nm
7 lb.in

S01711A

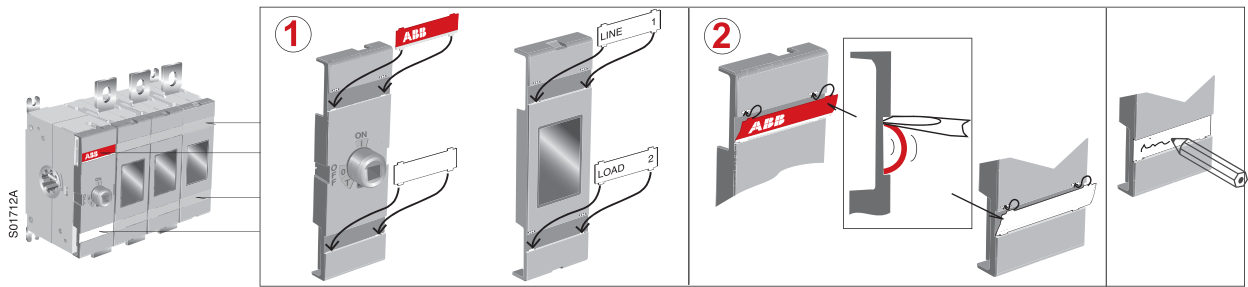
OZX_

- | |
|------------------------------------|
| OT160EV_, OT200,
OT250 |
| OZXB1L
OZXB2
OZXB2L
OZXB8 |
| OT200U |
| OZXA-200_
OZXA-206_ |

S01710A

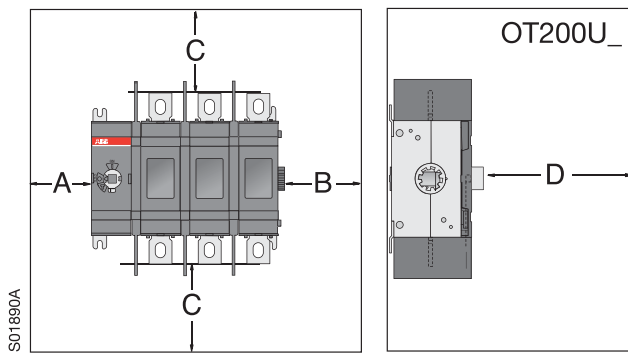
OT160-250

Label



Clearances per UL98

Minimum enclosure size or equivalent volume



Height	Width	Depth
406 mm	x 255 mm	x 152 mm
16 in	x 10 in	x 6 in

A	B	D
0	13 mm 0,5 in	13 mm 0,5 in

C Cable size	
AWG	
4-3	100 mm 4 in
2	100 mm 4 in
1	100 mm 4 in
1/0	125 mm 5 in
2/0	150 mm 6 in
3/0-4/0	175 mm 7 in
MCM	
250	200 mm 8 in
300	250 mm 10 in

OEA_

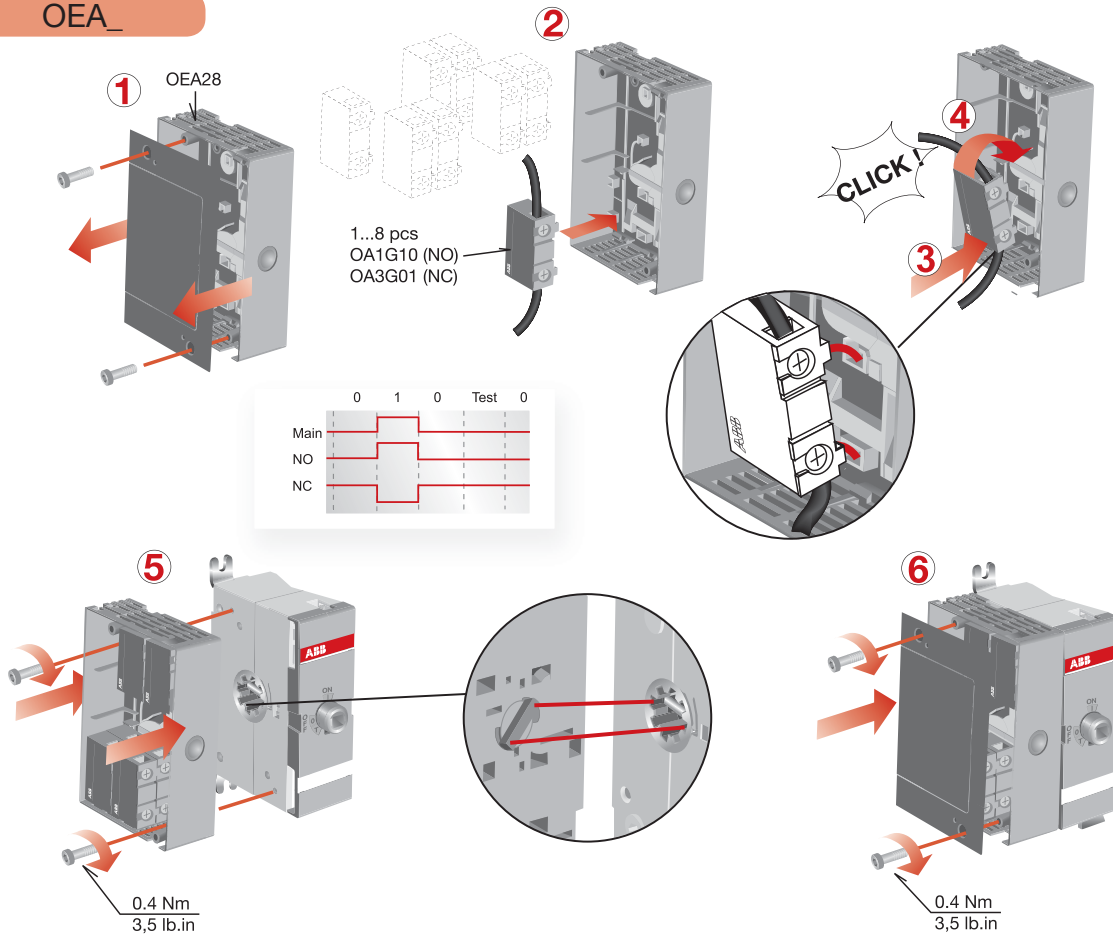


ABB Oy
Breakers and Switches
P.O. Box 622
FI-65101 Vaasa, Finland

Telephone +358 10 2211
Telefax +358 10 224 5708