



Breakers and Switches

# Quick selection tool

## Accessories for switch-disconnectors and DC-switch-disconnectors



# Quick selection tool

## Accessories for switch-disconnectors and DC-switch-disconnectors

### Contents

- 4 Switch-disconnectors for door-mounting  
OT16...125FT\_, 3 and 4 -pole
- 6 Switch-disconnectors for DIN-rail and base mounting  
OT16...125F\_, 3 and 4 -pole
- 10 Switch-disconnectors for DIN-rail and base mounting  
OT16...125F\_, 6 and 8 -pole
- 14 Switch-disconnectors for base mounting  
OT160...800, 3 and 4 -pole
- 18 Switch-disconnectors for base mounting  
OT1000...2500 and OETL3150, 3 and 4 -pole
- 22 DC-switch-disconnectors for DIN-rail, base and  
door mounting OTDC16...32
- 26 DC-switch-disconnectors for base mounting  
OTDC100...250 and OT315...800E23/33\_
- 30 Dimension drawings

# Quick selection tool

## Switch-disconnectors for door-mounting

### OT16...125FT\_, 3 and 4 -pole



#### Switch-disconnector, 3-pole

Order number

**OT16FT3**  
1SCA104838R1001

#### Switch-disconnector, 4-pole

Order number

**OT16FT4N2**  
1SCA105711R1001

Number of poles

3 4

#### Selector type handles

	Type	Order number		
<b>Snap-on mounting</b>				
Black IP54	OHBS1PH	1SCA105211R1001	•	•
Red/yellow IP54	OHYS1PH	1SCA105294R1001	•	•
Black, padlockable IP54	OHBS3PH	1SCA105236R1001	•	•
Red/yellow, padlockable IP54	OHYS3PH	1SCA105327R1001	•	•
Black, padlockable IP65	OHBS2PJ	1SCA105231R1001	•	•
Red/yellow, padlockable IP65	OHYS2PJ	1SCA105322R1001	•	•
<b>Screw mounting</b>				
Black IP54	OHBS1RH	1SCA105212R1001	•	•
Red/yellow IP54	OHYS1RH	1SCA105295R1001	•	•
Black, padlockable	OHBS3RH	1SCA105237R1001	•	•
Red/yellow, padlockable IP54	OHYS3RH	1SCA105328R1001	•	•
Black, padlockable IP65	OHBS2RJ	1SCA105232R1001	•	•
Red/yellow, padlockable IP65	OHYS2RJ	1SCA105323R1001	•	•

#### Auxiliary contacts

	Mounting	Type	Order number		
1 NC	left*	OA1G01	1SCA022353R4890	•	•
1 NO	right*	OA1G10	1SCA022353R4970	•	•
1 NO+ 1 NC	left/right **	OA2G11	1SCA022379R8100	•	•

\* Max 2, \*\* Max 2 per side

#### Terminal shrouds

##### For 3-pole

For OT16...40FT_	OTS40T3	1SCA105317R1001	•	•
For OT63...80FT_	OTS63T3	1SCA022353R6750		
For OT100...125FT_	OTS125T3	1SCA022379R9680		

##### For fourth pole (single pole)

For OT16...40FT4	OTS40T1	1SCA105314R1001		•
For OT63...80FT4	OTS63T1	1SCA022353R6910		
For OT100...125FT4	OTS125T1	1SCA022379R9760		

#### Fourth pole, simultaneous function with main contacts

##### For 3-pole switches

For OT16...40FT3	OTPS40FDN2*	1SCA104998R1001		•
For OT63...80FT3	OTPS80FD	1SCA105458R1001		
For OT100...125FT3	OTPS125FD	1SCA105096R1001		

\* N2= On the right side of the switch



**OT25FT3**

1SCA104884R1001

**OT40FT3**

1SCA104940R1001

**OT63FT3**

1SCA105382R1001

**OT80FT3**

1SCA105431R1001

**OT100FT3**

1SCA105023R1001

**OT125FT3**

1SCA105060R1001

**OT25FT4N2**

1SCA104900R1001

**OT40FT4N2**

1SCA104956R1001

**OT63FT4N2**

1SCA105393R1001

**OT80FT4N2**

1SCA105499R1001

**OT100FT4N2**

1SCA105031R1001

**OT125FT4N2**

1SCA105066R1001

3 4

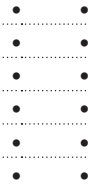
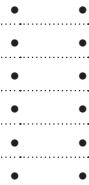
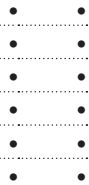
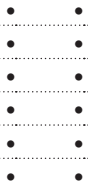
3 4

3 4

3 4

3 4

3 4



# Quick selection tool

## Switch-disconnectors for DIN-rail and base mounting OT16...125F\_, 3 and 4 -pole



<b>Switch-disconnector, 3-pole</b>	<b>OT16F3</b>
Order number	1SCA104811R1001
<b>Switch-disconnector, 4-pole</b>	<b>OT16F4N2</b>
Order number	1SCA104829R1001
Number of poles	3 4

### Handles

	Handle length [mm]	Type	Order number		
<b>Handle knobs, no shaft needed</b>					
Black, padlockable	37	OHBS12	1SCA108252R1001	•	•
Red/yellow, padlockable	37	OHRS12	1SCA108253R1001	•	•
Black	39	OHBS3	1SCA108320R1001	•	•
Red/yellow	39	OHRS3	1SCA108667R1001	•	•
Black, padlockable	40	OHBS2	1SCA109089R1001		
Red/yellow, padlockable	40	OHRS2	1SCA108598R1001		
<b>Selector type handles</b>					
Black IP54		OHBS1AH	1SCA102680R1001	•	•
Red/yellow IP54		OHYS1AH	1SCA105290R1001	•	•
Black, door lock IP54		OHBS1AH1	1SCA105210R1001	•	•
Red/yellow, door lock IP54		OHYS1AH1	1SCA105291R1001	•	•
Black, padlockable, door lock IP54		OHBS3AH1	1SCA105235R1001	•	•
Red/yellow, padlockable, door lock IP54		OHYS3AH1	1SCA105326R1001	•	•
Black, padlockable, releasable door lock IP65		OHBS2AJ	1SCA105213R1001	•	•
Red/yellow, padlockable, releasable door lock IP65		OHYS2AJ	1SCA105296R1001	•	•
<b>Pistol type handles, IP65</b>					
Black, padlockable, releasable door lock	45	OHBS45J6	1SCA022380R8770	•	•
Red/yellow, padlockable, releasable door lock	45	OHYS45J6	1SCA022380R8930	•	•

### Shafts

	Shaft length [mm]	Type	Order number		
<b>For selector type handles</b>					
Shaft dia. 6 mm	85	OXS6X85	1SCA101647R1001	•	•
Shaft dia. 6 mm	105	OXS6X105	1SCA108043R1001	•	•
Shaft dia. 6 mm	120	OXS6X120	1SCA101654R1001	•	•
Shaft dia. 6 mm	130	OXS6X130	1SCA101655R1001	•	•
Shaft dia. 6 mm	160	OXS6X160	1SCA101656R1001	•	•
Shaft dia. 6 mm	180	OXS6X180	1SCA101659R1001	•	•
Shaft dia. 6 mm	250	OXS6X250	1SCA101660R1001	•	•
Shaft dia. 6 mm	330	OXS6X330	1SCA101661R1001	•	•
<b>For pistol type handles</b>					
Shaft dia. 6 mm	150	OSP6X150	1SCA022295R5600	•	•
Shaft dia. 6 mm	170	OSP6X170	1SCA108224R1001	•	•
Shaft dia. 6 mm	265	OSP6X265	1SCA108225R1001	•	•
Shaft dia. 6 mm	400	OSP6X400	1SCA108226R1001	•	•



OT25F3

OT40F3

OT63F3

OT80F3

OT100F3

OT125F3

1SCA104857R1001

1SCA104902R1001

1SCA105332R1001

1SCA105798R1001

1SCA105004R1001

1SCA105033R1001

OT25F4N2

OT40F4N2

OT63F4N2

OT80F4N2

OT100F4N2

OT125F4N2

1SCA104886R1001

1SCA104932R1001

1SCA105365R1001

1SCA105413R1001

1SCA105018R1001

1SCA105051R1001

3 4

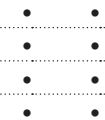
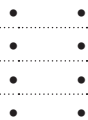
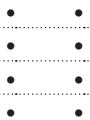
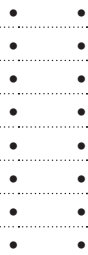
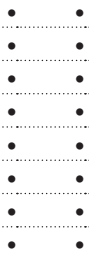
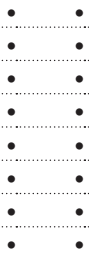
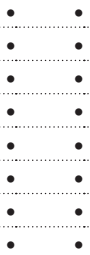
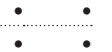
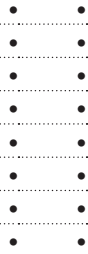
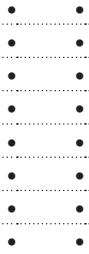
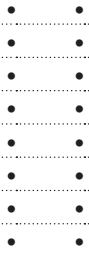
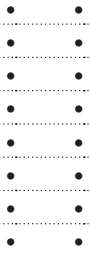
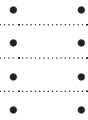
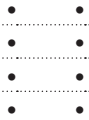
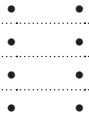
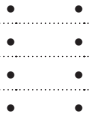
3 4

3 4

3 4

3 4

3 4



# Quick selection tool

## Switch-disconnectors for DIN-rail and base mounting OT16...125F\_, 3 and 4 -pole



<b>Switch-disconnector, 3-pole</b>	<b>OT16F3</b>
Order number	1SCA104811R1001
<b>Switch-disconnector, 4-pole</b>	<b>OT16F4N2</b>
Order number	1SCA104829R1001
Number of poles	3 4

### Auxiliary contacts

	Mounting	Type	Order number		
1 NC	left*	OA1G01	1SCA022353R4890	•	•
1 NO	right*	OA1G10	1SCA022353R4970	•	•
1 NO+ 1 NC	left/right **	OA2G11	1SCA022379R8100	•	•

\* Max 2, \*\* Max 2 per side

### Terminal shrouds

#### For 3-pole

For OT16...40F_	OTS40T3	1SCA105317R1001	•	•
For OT63...80F_	OTS63T3	1SCA022353R6750		
For OT100.125F_	OTS125T3	1SCA022379R9680		

#### For fourth pole (single pole)

For OT16...40F4	OTS40T1	1SCA105314R1001		•
For OT63...80F4	OTS63T1	1SCA022353R6910		
For OT100.125F4	OTS125T1	1SCA022379R9760		

### Fourth poles, for three-pole switches

#### Simultaneous function with main contacts

For OT16...40F3	OTPS40FPN2*	1SCA105000R1001	•	
For OT63...80F3	OTPS80FP	1SCA105461R1001		
For OT100...125F3	OTPS125FP	1SCA105099R1001		

#### Protective earth

For OT16...40F3	OTPE40FP	1SCA104995R1001	•	
For OT63...80F3	OTPE80FP	1SCA105448R1001		
For OT100...125F3	OTPE125FP	1SCA105128R1001		

\* N2= On the right side of the switch

### Conversion kits

#### 6 and 8 -pole switch mechanism

Two 3- or 4-pole switches needed	OWP6D40	1SCA022865R4800	•	•
Two 3- or 4-pole switches needed	OWP6D80	1SCA022865R5010		
Two 3- or 4-pole switches needed	OWP6D125	1SCA022865R5100		
Two 3- or 4-pole switches needed	OTZW8	1SCA022421R7600	•	•

#### Change-over switch mechanism

Two 3- or 4-pole switches needed	OESAZW1	1SCA022064R3710	•	•
----------------------------------	---------	-----------------	---	---

#### By-pass switch mechanism

Three 3- or 4-pole switches needed	OTZW17	1SCA022387R1620	•	•
------------------------------------	--------	-----------------	---	---

#### Mechanical interlock mechanism

Two 3- or 4-pole switches needed	OTZW24	1SCA022639R5610	•	•
----------------------------------	--------	-----------------	---	---





**OT25F3**

**OT40F3**

**OT63F3**

**OT80F3**

**OT100F3**

**OT125F3**

1SCA104857R1001

1SCA104902R1001

1SCA105332R1001

1SCA105798R1001

1SCA105004R1001

1SCA105033R1001

**OT25F4N2**

**OT40F4N2**

**OT63F4N2**

**OT80F4N2**

**OT100F4N2**

**OT125F4N2**

1SCA104886R1001

1SCA104932R1001

1SCA105365R1001

1SCA105413R1001

1SCA105018R1001

1SCA105051R1001

3 4

3 4

3 4

3 4

3 4

3 4

• •  
• •  
• •

• •  
• •  
• •

• •  
• •  
• •

• •  
• •  
• •

• •  
• •  
• •

• •  
• •  
• •

• •

• •

• •

• •

• •

• •

•

•

•

•

•

•

•

•

•

•

•

•

•

•

•

•

•

•

• •

• •

• •

• •

• •

• •

• •

• •

• •

• •

• •

• •

• •

• •

• •

• •

• •

• •

• •

• •

• •

• •

• •

• •

• •

• •

• •

• •

• •

• •

# Quick selection tool

## Switch-disconnectors for DIN-rail and base mounting OT16...125F\_, 6 and 8 -pole



<b>Switch-disconnector, 6-pole</b>	<b>OT16F6</b>
Order number	1SCA104834R1001
<b>Switch-disconnector, 8-pole</b>	<b>OT16F8</b>
Order number	1SCA104836R1001
Number of poles	6      8

### Handles

	Handle length [mm]	Type	Order number		
<b>Handle knobs, no shaft needed</b>					
Black, padlockable	40	OHBS2	1SCA109089R1001	•	•
Red/yellow, padlockable	40	OHRS2	1SCA108598R1001	•	•
Black	39	OHBS3	1SCA108320R1001	•	•
Red/yellow	39	OHRS3	1SCA108667R1001	•	•
Black	72	OHBS9	1SCA108665R1001		
Red/yellow	72	OHRS9	1SCA108666R1001		
<b>Selector type handles</b>					
Black IP54		OHBS1AH	1SCA102680R1001	•	•
Red/yellow IP54		OHYS1AH	1SCA105290R1001	•	•
Black, door lock IP54		OHBS1AH1	1SCA105210R1001	•	•
Red/yellow, door lock IP54		OHYS1AH1	1SCA105291R1001	•	•
Black, padlockable, door lock IP54		OHBS3AH1	1SCA105235R1001	•	•
Red/yellow, padlockable, door lock IP54		OHYS3AH1	1SCA105326R1001	•	•
Black, padlockable, releasable door lock IP65		OHBS2AJ	1SCA105213R1001	•	•
Red/yellow, padlockable, releasable door lock IP65		OHYS2AJ	1SCA105296R1001	•	•
<b>Pistol type handles, IP65</b>					
Black, padlockable, releasable door lock	45	OHBS45J6	1SCA022380R8770	•	•
Red/yellow, padlockable, releasable door lock	45	OHYS45J6	1SCA022380R8930	•	•

### Shafts

	Shaft length [mm]	Type	Order number		
<b>For selector type handles</b>					
Shaft dia. 6 mm	85	OXS6X85	1SCA101647R1001	•	•
Shaft dia. 6 mm	105	OXS6X105	1SCA108043R1001	•	•
Shaft dia. 6 mm	120	OXS6X120	1SCA101654R1001	•	•
Shaft dia. 6 mm	130	OXS6X130	1SCA101655R1001	•	•
Shaft dia. 6 mm	160	OXS6X160	1SCA101656R1001	•	•
Shaft dia. 6 mm	180	OXS6X180	1SCA101659R1001	•	•
Shaft dia. 6 mm	250	OXS6X250	1SCA101660R1001	•	•
Shaft dia. 6 mm	330	OXS6X330	1SCA101661R1001	•	•
<b>For pistol type handles</b>					
Shaft dia. 6 mm	150	OSP6X150	1SCA022295R5600	•	•
Shaft dia. 6 mm	170	OSP6X170	1SCA108224R1001	•	•
Shaft dia. 6 mm	265	OSP6X265	1SCA108225R1001	•	•
Shaft dia. 6 mm	400	OSP6X400	1SCA108226R1001	•	•



OT25F6

OT40F6

OT63F6

OT80F6

OT100F6

OT125F6

1SCA104880R1001

1SCA104936R1001

1SCA105379R1001

1SCA105427R1001

1SCA105021R1001

1SCA105057R1001

OT25F8

OT40F8

OT63F8

OT80F8

OT100F8

OT125F8

1SCA104882R1001

1SCA104938R1001

1SCA105381R1001

1SCA105429R1001

1SCA105022R1001

1SCA105059R1001

6 8

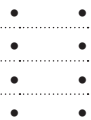
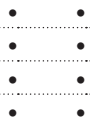
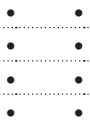
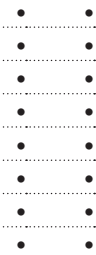
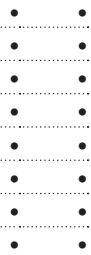
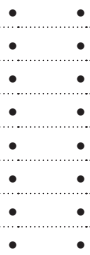
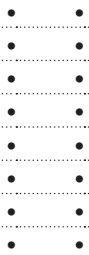
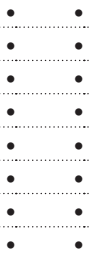
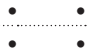
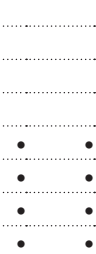
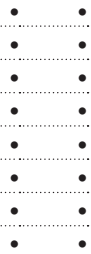
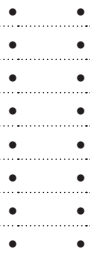
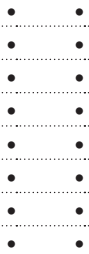
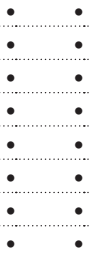
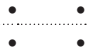
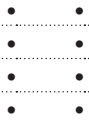
6 8

6 8

6 8

6 8

6 8



# Quick selection tool

## Switch-disconnectors for DIN-rail and base mounting OT16...125F\_, 6 and 8 -pole



<b>Switch-disconnector, 6-pole</b>	<b>OT16F6</b>
Order number	1SCA104834R1001
<b>Switch-disconnector, 8-pole</b>	<b>OT16F8</b>
Order number	1SCA104836R1001
Number of poles	6      8

### Auxiliary contacts

	Mounting	Type	Order number		
1 NC	left*	OA1G01	1SCA022353R4890	•	•
1 NO	right*	OA1G10	1SCA022353R4970	•	•
1 NO+ 1 NC	left/right **	OA2G11	1SCA022379R8100	•	

\* Max 2, \*\* Max 2 per side

### Terminal shrouds

#### For 3-pole

For OT16...40F_	OTS40T3	1SCA105317R1001	•	•
For OT63...80F_	OTS63T3	1SCA022353R6750		
For OT100...125F_	OTS125T3	1SCA022379R9680		

#### For fourth pole (single pole)

For OT16...40F4	OTS40T1	1SCA105314R1001		•
For OT63...80F4	OTS63T1	1SCA022353R6910		
For OT100...125F4	OTS125T1	1SCA022379R9760		

### Fourth poles, for three-pole switches

#### Simultaneous function with main contacts

For OT16...40F_	OTPS40FPN2*	1SCA105000R1001	•	
For OT63...80F_	OTPS80FP	1SCA105461R1001		
For OT100...125F_	OTPS125FP	1SCA105099R1001		

#### Protective earth

For OT16...40F_	OTPE40FP	1SCA104995R1001	•	
For OT63...80F_	OTPE80FP	1SCA105448R1001		
For OT100...125F_	OTPE125FP	1SCA105128R1001		

\* N2= On the right side of the switch



OT25F6

OT40F6

OT63F6

OT80F6

OT100F6

OT125F6

1SCA104880R1001

1SCA104936R1001

1SCA105379R1001

1SCA105427R1001

1SCA105021R1001

1SCA105057R1001

OT25F8

OT40F8

OT63F8

OT80F8

OT100F8

OT125F8

1SCA104882R1001

1SCA104938R1001

1SCA105381R1001

1SCA105429R1001

1SCA105022R1001

1SCA105059R1001

6 8

6 8

6 8

6 8

6 8

6 8

• •  
• •  
•

• •  
• •  
•

• •  
• •  
•

• •  
• •  
•

• •  
• •  
•

• •  
• •  
•

• •

• •

• •

• •

• •

• •

•

•

•

•

•

•

•

•

•

•

•

•

•

•

•

•

•

•

# Quick selection tool

## Switch-disconnectors for base mounting

### OT160...800, 3 and 4 -pole



<b>Switch-disconnector, 3-pole</b>	<b>OT160EV03P</b>
Order number	1SCA120514R1001
<b>Switch-disconnector, 4-pole</b>	<b>OT160EV04P</b>
Order number	1SCA120521R1001
Number of poles	3      4

#### Handles

	Handle length [mm]	Type	Order number		
<b>Direct mounted handles</b>					
Black, padlockable	65	OTV250EK	1SCA022763R2700	•	•
Red-yellow, padlockable	65	OTVY250EK	1SCA022772R7910	•	•
Black, padlockable	95	OTV400EK	1SCA022763R2960		
Red-yellow, padlockable	95	OTVY400EK	1SCA022772R7830		
Black, padlockable	125	OTV800EK	1SCA022804R6340		
Red-yellow, padlockable	125	OTVY800EK	1SCA022810R2780		
<b>Pistol type handles, IP65</b>					
Black, padlockable, releasable door lock	65	OHB65J6	1SCA022380R9660	•	•
Red/yellow, padlockable, releasable door lock	65	OHY65J6	1SCA022380R9820	•	•
Black, padlockable, releasable door lock	80	OHB80J6	1SCA022381R0240	•	•
Red/yellow, padlockable, releasable door lock	80	OHY80J6	1SCA022381R0410	•	•
Black, padlockable, releasable door lock	95	OHB95J12	1SCA022381R0830		
Red/yellow, padlockable, releasable door lock	95	OHY95J12	1SCA022381R1050		
Black, padlockable, releasable door lock	125	OHB125J12	1SCA022381R1560		
Red/yellow, padlockable, releasable door lock	125	OHY125J12	1SCA022381R1720		
Black, padlockable, releasable door lock	145	OHB145J12	1SCA022381R2110		
Red/yellow, padlockable, releasable door lock	145	OHY145J12	1SCA022381R2370		

#### Shafts

	Shaft length [mm]	Type	Order number		
<b>For pistol type handles</b>					
Shaft dia. 6 mm	130	OSP6X130	1SCA022057R0570	•	•
Shaft dia. 6 mm	150	OSP6X150	1SCA022295R5600	•	•
Shaft dia. 6 mm	161	OSP6X161	1SCA022067R1760	•	•
Shaft dia. 6 mm	210	OSP6X210	1SCA022295R6080	•	•
Shaft dia. 6 mm	290	OSP6X290	1SCA022042R6370	•	•
Shaft dia. 12 mm	166	OSP12X166	1SCA022325R7100		
Shaft dia. 12 mm	185	OSP12X185	1SCA022325R6710		
Shaft dia. 12 mm	250	OSP12X250	1SCA022325R6980		
Shaft dia. 12 mm	280	OSP12X280	1SCA022137R5140		
Shaft dia. 12 mm	325	OSP12X325	1SCA022042R5810		
Shaft dia. 12 mm	395	OSP12X395	1SCA022042R5990		
Shaft dia. 12 mm	465	OSP12X465	1SCA022042R6020		
Shaft dia. 12 mm	535	OSP12X535	1SCA022042R6110		



OT200E03P

OT250E03P

OT315E03P

OT400E03P

OT630E03P

OT800E03P

1SCA022712R0800

1SCA022710R0100

1SCA022718R8510

1SCA022718R8780

1SCA022718R8940

1SCA022718R9410

OT200E04P

OT250E04P

OT315E04P

OT400E04P

OT630E04P

OT800E04P

1SCA022713R4930

1SCA022710R0520

1SCA022719R1730

1SCA022719R1810

1SCA022719R2030

1SCA022719R2110

3 4

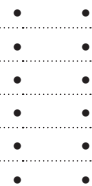
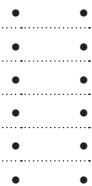
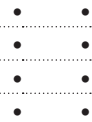
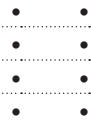
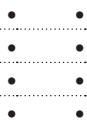
3 4

3 4

3 4

3 4

3 4



# Quick selection tool

## Switch-disconnectors for base mounting

### OT160...800, 3 and 4 -pole



<b>Switch-disconnector, 3-pole</b>	<b>OT160EV03P</b>
Order number	1SCA120514R1001
<b>Switch-disconnector, 4-pole</b>	<b>OT160EV04P</b>
Order number	1SCA120521R1001
Number of poles	3      4

#### Auxiliary contacts

	Type	Order number		
1 NC	OA3G01	1SCA022456R7410	•	•
1 NO	OA1G-10	1SCA022353R4970	•	•
Module for auxiliary contacts	OEA28	1SCA022714R8810	•	•

#### Terminal shrouds

	Description	Type	Order number		
<b>For single pole</b>					
OT160EV...250	Long type	OTS250G1L/3	1SCA022731R8150	•	
OT160EV...250	Short type	OTS250G1S/3	1SCA022731R8310	•	
OT160EV...250	Long type	OTS250G1L/4	1SCA022731R8230		•
OT160EV...250	Short type	OTS250G1S/4	1SCA022731R8400		•
OT315...400	Long type	OTS400G1L/3	1SCA022736R8840		
OT315...400	Short type	OTS400G1S/3	1SCA022736R9060		
OT315...400	Long type	OTS400G1L/4	1SCA022736R9490		
OT315...400	Short type	OTS400G1S/4	1SCA022736R9650		
OT630...800	Long type	OTS800G1L/3	1SCA022776R7890		
OT630...800	Short type	OTS800G1S/3	1SCA022776R8190		
OT630...800	Long type	OTS800G1L/4	1SCA022776R7970		
OT630...800	Short type	OTS800G1S/4	1SCA022776R8270		

#### Fourth poles, for three-pole switches

##### Simultaneous function with main contacts

For OT160EV...250	OTZ250E	1SCA022735R9420	•
For OT315...400	OTZ400E	1SCA022749R1960	
For OT630...800	OTZ800E	1SCA022807R5100	





OT200E03P

OT250E03P

OT315E03P

OT400E03P

OT630E03P

OT800E03P

1SCA022712R0800

1SCA022710R0100

1SCA022718R8510

1SCA022718R8780

1SCA022718R8940

1SCA022718R9410

OT200E04P

OT250E04P

OT315E04P

OT400E04P

OT630E04P

OT800E04P

1SCA022713R4930

1SCA022710R0520

1SCA022719R1730

1SCA022719R1810

1SCA022719R2030

1SCA022719R2110

3 4

3 4

3 4

3 4

3 4

3 4

• •  
• •  
• •

• •  
• •  
• •

• •  
• •  
• •

• •  
• •  
• •

• •  
• •  
• •

• •  
• •  
• •

•  
•  
•

•  
•  
•

•  
•  
•

•  
•  
•

•  
•  
•

•  
•  
•

•

•

•

•

•

•

# Quick selection tool

## Switch-disconnectors for base mounting

### OT1000...2500 and OETL3150, 3 and 4 -pole

#### Switch-disconnector, 3-pole

Order number

#### Switch-disconnector, 4-pole

Order number

Number of poles

#### Handles

	Handle length [mm]	Type	Order number
<b>Direct mounted handles</b>			
Black, padlockable	274	OTV1000EK	1SCA106608R1001
Black, padlockable	2x200	OTV100EPK	1SCA121085R1001
<b>Pistol type handles, IP65</b>			
Black, padlockable, releasable door lock	274	OHB274J12	1SCA115920R1001
Red/yellow, padlockable, releasable door lock	274	OHY274J12	1SCA115919R1001
Black, padlockable, releasable door lock	330	OHB330J12	1SCA115922R1001
Red/yellow, padlockable, releasable door lock	330	OHY330J12	1SCA115921R1001
Black, padlockable, releasable door lock	2x150	OHB150J12P	1SCA022865R9430
Red/yellow, padlockable, releasable door lock	2x150	OHY150J12P	1SCA101586R1001
Black, padlockable, releasable door lock	2x200	OHB200J12P	1SCA022865R9510
Red/yellow, padlockable, releasable door lock	2x200	OHY200J12P	1SCA101587R1001
Black, padlockable, releasable door lock	275	OHB275J12	1SCA022381R2960
Red/yellow, padlockable, releasable door lock	275	OHY275J12	1SCA022381R3180

#### Shafts

	Shaft length [mm]	Type	Order number
<b>For pistol type handles</b>			
Shaft dia. 12 mm	250	EXP12X250	1SCA022325R6980
Shaft dia. 12 mm	280	EXP12X280	1SCA022137R5140
Shaft dia. 12 mm	325	EXP12X325	1SCA022042R5810
Shaft dia. 12 mm	395	EXP12X395	1SCA022042R5990
Shaft dia. 12 mm	465	EXP12X465	1SCA022042R6020
Shaft dia. 12 mm	535	EXP12X535	1SCA022042R6110

#### Auxiliary contacts

1 NC		OA3G01	1SCA022456R7410
1 NO		OA1G10	1SCA022353R4970
Module for auxiliary contacts		OEA28	1SCA022714R8810
1NO+1NC		OZXK1	1SCA022131R8690
2NO+2NC		OZXK2	1SCA022131R8850
4NO+4NC		OZXK3	1SCA022131R9070
2NO		OZXK4	1SCA022131R9230
4NO		OZXK5	1SCA022131R9400
8NO		OZXK6	1SCA022131R9660



OT1000E03P

OT1250E03P

OT1600E03P

OT2000E03P

OT2500E03P

OETL3150K3

1SCA022860R5930

1SCA022860R6230

1SCA022860R6580

1SCA108036R1001

1SCA104972R1001

1SCA022115R6340

OT1000E04P

OT1250E04P

OT1600E04P

OT2000E04P

OT2500E04P

OETL3150K4

1SCA022860R6150

1SCA022860R6310

1SCA022860R6740

1SCA108038R1001

1SCA105140R1001

1SCA022115R6510

3 4

3 4

3 4

3 4

3 4

3 4

• •  
• •

• •  
• •

• •  
• •

• •  
• •

• •  
• •

• •  
• •  
• •  
• •  
• •  
• •  
• •  
• •

• •  
• •  
• •  
• •  
• •  
• •  
• •  
• •

• •  
• •  
• •  
• •  
• •  
• •  
• •  
• •

• •  
• •  
• •  
• •  
• •  
• •  
• •  
• •

• •  
• •  
• •  
• •  
• •  
• •  
• •  
• •

• •  
• •

• •  
• •  
• •  
• •  
• •  
• •

• •  
• •  
• •  
• •  
• •  
• •

• •  
• •  
• •  
• •  
• •  
• •

• •  
• •  
• •  
• •  
• •  
• •

• •  
• •  
• •  
• •  
• •  
• •

• •  
• •  
• •  
• •  
• •

• •  
• •  
• •

• •  
• •  
• •

• •  
• •  
• •

• •  
• •  
• •

• •  
• •  
• •

• •  
• •  
• •  
• •  
• •  
• •

# Quick selection tool

## Switch-disconnectors for base mounting

### OT1000...2500 and OETL3150, 3 and 4 -pole

#### Switch-disconnector, 3-pole

Order number

#### Switch-disconnector, 4-pole

Order number

Number of poles

#### Terminal shrouds

	Description	Type	Order number
<b>For single pole</b>			
OT1000...1600	Long type	OTS1600G1L/3	1SCA022871R9510
OT1000...1600	Short type	OTS1600G1S/3	1SCA022871R9600
OT1000...1600	Long type	OTS1600G1L/4	1SCA022871R9780
OT1000...1600	Short type	OTS1600G1S/4	1SCA022871R9860
OT2000...2500	Long type	OTS2500G1L/3	1SCA107261R1001
OT2000...2500	Short type	OTS2500G1S/3	1SCA107260R1001
OT2000...2500	Long type	OTS2500G1L/4	1SCA107262R1001
OT2000...2500	Short type	OTS2500G1S/4	1SCA107271R1001

#### Fourth poles, for three-pole switches

##### Simultaneous function with main contacts

For OT1000...1250		OTZ1250E	1SCA103765R1001
For OT1600		OTZ1600E	1SCA100431R1001
For OT2000...2500		OTZ2500E	1SCA107931R1001



**OT1000E03P**

**OT1250E03P**

**OT1600E03P**

**OT2000E03P**

**OT2500E03P**

**OETL3150K3**

1SCA022860R5930

1SCA022860R6230

1SCA022860R6580

1SCA108036R1001

1SCA104972R1001

1SCA022115R6340

**OT1000E04P**

**OT1250E04P**

**OT1600E04P**

**OT2000E04P**

**OT2500E04P**

**OETL3150K4**

1SCA022860R6150

1SCA022860R6310

1SCA022860R6740

1SCA108038R1001

1SCA105140R1001

1SCA022115R6510

3 4

3 4

3 4

3 4

3 4

3 4

•  
•

•  
•

•  
•

•  
•

•  
•

•  
•

•  
•

•  
•

•  
•

•  
•

•

•

•

•

•

# Quick selection tool

## DC-switch-disconnectors for DIN-rail, base and door mounting OTDC16...32



<b>DC-Switch-disconnector</b>	<b>OTDC16F2</b>
Order number	1SCA121454R1001
<b>DC-Switch-disconnector</b>	<b>OTDC25F2</b>
Order number	1SCA121455R1001
<b>DC-Switch-disconnector</b>	<b>OTDC32F2</b>
Order number	1SCA121456R1001
Operational voltage / Number of poles	660 VDC, 1000 VDC / 2
Mounting	On DIN-rail or base

### Handles

	Handle length [mm]	Type	Order number	
<b>Handle knobs, no shaft needed</b>				
Black	31	OHBS1	1SCA109087R1001	•
Red/yellow	31	OHRS1	1SCA109095R1001	•
Black, padlockable	40	OHBS2	1SCA109089R1001	•
Red/yellow, padlockable	40	OHRS2	1SCA108598R1001	•
Black	39	OHBS3	1SCA108320R1001	•
Red/yellow	39	OHRS3	1SCA108667R1001	•
<b>Selector type handles</b>				
Black IP54		OHBS1AH	1SCA102680R1001	•
Red/yellow IP54		OHYS1AH	1SCA105290R1001	•
Black, door lock IP54		OHBS1AH1	1SCA105210R1001	•
Red/yellow, door lock IP54		OHYS1AH1	1SCA105291R1001	•
Black, padlockable, door lock IP54		OHBS3AH1	1SCA105235R1001	•
Red/yellow, padlockable, door lock IP54		OHYS3AH1	1SCA105326R1001	•
Black, padlockable, releasable door lock IP65		OHBS2AJ	1SCA105213R1001	•
Red/yellow, padlockable, releasable door lock IP65		OHYS2AJ	1SCA105296R1001	•
<b>Selector type handles, snap-on mounting</b>				
Black IP54		OHBS1PH	1SCA105211R1001	
Red/yellow IP54		OHYS1PH	1SCA105294R1001	
Black, padlockable IP54		OHBS3PH	1SCA105236R1001	
Red/yellow, padlockable IP54		OHYS3PH	1SCA105327R1001	
Black, padlockable IP65		OHBS2PJ	1SCA105231R1001	
Red/yellow, padlockable IP65		OHYS2PJ	1SCA105322R1001	
<b>Selector type handles, screw mounting</b>				
Black IP54		OHBS1RH	1SCA105212R1001	
Red/yellow IP54		OHYS1RH	1SCA105295R1001	
Black, padlockable		OHBS3RH	1SCA105237R1001	
Red/yellow, padlockable IP54		OHYS3RH	1SCA105328R1001	
Black, padlockable IP65		OHBS2RJ	1SCA105232R1001	
Red/yellow, padlockable IP65		OHYS2RJ	1SCA105323R1001	



OTDC16F3	OTDC16F4	OTDC16FT2	OTDC16FT3	OTDC16FT4
1SCA121457R1001	1SCA121461R1001	1SCA123839R1001	1SCA123840R1001	1SCA123841R1001
OTDC25F3	OTDC25F4	OTDC25FT2	OTDC25FT3	OTDC25FT4
1SCA121458R1001	1SCA121462R1001	1SCA123842R1001	1SCA123843R1001	1SCA123844R1001
OTDC32F3	OTDC32F4	OTDC32FT2	OTDC32FT3	OTDC32FT4
1SCA121459R1001	1SCA121463R1001	1SCA123845R1001	1SCA123846R1001	1SCA123847R1001
1000 VDC / 3	2x660 VDC, 2x1000 VDC / 4	660 VDC, 1000 VDC / 2	1000 VDC / 3	2x660 VDC, 2x1000 VDC / 4
On DIN-rail or base	On DIN-rail or base	On door	On door	On door

•  
•  
•  
•  
•  
•

•  
•  
•  
•  
•  
•

•  
•  
•  
•  
•  
•  
•  
•

•  
•  
•  
•  
•  
•  
•  
•

•  
•  
•  
•  
•  
•

•  
•  
•  
•  
•  
•

•  
•  
•  
•  
•  
•

•  
•  
•  
•  
•  
•

•  
•  
•  
•  
•  
•

•  
•  
•  
•  
•  
•

# Quick selection tool

## DC-switch-disconnectors for DIN-rail, base and door mounting OTDC16...32



<b>DC-Switch-disconnector</b>	<b>OTDC16F2</b>
Order number	1SCA121454R1001
<b>DC-Switch-disconnector</b>	<b>OTDC25F2</b>
Order number	1SCA121455R1001
<b>DC-Switch-disconnector</b>	<b>OTDC32F2</b>
Order number	1SCA121456R1001
Operational voltage / Number of poles	660 VDC, 1000 VDC / 2
Mounting	On DIN-rail or base

### Shafts

	Shaft length [mm]	Type	Order number	
<b>For selector type handles</b>				
Shaft dia. 6 mm	85	OXS6X85	1SCA101647R1001	•
Shaft dia. 6 mm	105	OXS6X105	1SCA108043R1001	•
Shaft dia. 6 mm	120	OXS6X120	1SCA101654R1001	•
Shaft dia. 6 mm	130	OXS6X130	1SCA101655R1001	•
Shaft dia. 6 mm	160	OXS6X160	1SCA101656R1001	•
Shaft dia. 6 mm	180	OXS6X180	1SCA101659R1001	•
Shaft dia. 6 mm	250	OXS6X250	1SCA101660R1001	•
Shaft dia. 6 mm	330	OXS6X330	1SCA101661R1001	•



**OTDC16F3**

1SCA121457R1001

**OTDC16F4**

1SCA121461R1001

**OTDC16FT2**

1SCA123839R1001

**OTDC16FT3**

1SCA123840R1001

**OTDC16FT4**

1SCA123841R1001

**OTDC25F3**

1SCA121458R1001

**OTDC25F4**

1SCA121462R1001

**OTDC25FT2**

1SCA123842R1001

**OTDC25FT3**

1SCA123843R1001

**OTDC25FT4**

1SCA123844R1001

**OTDC32F3**

1SCA121459R1001

**OTDC32F4**

1SCA121463R1001

**OTDC32FT2**

1SCA123845R1001

**OTDC32FT3**

1SCA123846R1001

**OTDC32FT4**

1SCA123847R1001

1000 VDC / 3

2x660 VDC, 2x1000 VDC / 4

660 VDC, 1000 VDC / 2

1000 VDC / 3

2x660 VDC, 2x1000 VDC / 4

On DIN-rail or base

On DIN-rail or base

On door

On door

On door

- 
- 
- 
- 
- 
- 
- 
- 

- 
- 
- 
- 
- 
- 
- 
-

# Quick selection tool

## DC-switch-disconnectors for base mounting OTDC100...250 and OT315...630E23/33



### DC-Switch-disconnector

Order number	<b>OTDC100E02</b> 1SCA125822R1001	<b>OTDC160E02</b> 1SCA125840R1001
Operational voltage / Number of poles	1000 VDC / 2	1000 VDC / 2

### DC-Switch-disconnector

Order number	<b>OTDC100US02</b> 1SCA126155R1001
Operational voltage / Number of poles	1000 VDC / 2

### Handles

	Handle length [mm]	Type	Order number		
Pistol type handles, IP65					
Black, padlockable, releasable door lock	65	OHB65J6	1SCA022380R9660	•	•
Red/yellow, padlockable, releasable door lock	65	OHY65J6	1SCA022380R9820	•	•
Black, padlockable, releasable door lock	80	OHB80J6	1SCA022381R0240	•	•
Red/yellow, padlockable, releasable door lock	80	OHY80J6	1SCA022381R0410	•	•
Black, padlockable, releasable door lock	95	OHB95J12	1SCA022381R0830		
Red/yellow, padlockable, releasable door lock	95	OHY95J12	1SCA022381R1050		
Black, padlockable, releasable door lock	125	OHB125J12	1SCA022381R1560		
Red/yellow, padlockable, releasable door lock	125	OHY125J12	1SCA022381R1720		
Black, padlockable, releasable door lock	145	OHB145J12	1SCA022381R2110		
Red/yellow, padlockable, releasable door lock	145	OHY145J12	1SCA022381R2370		
Black, padlockable, releasable door lock	2x150	OHB150J12P	1SCA022865R9430		

### Shafts

	Shaft length [mm]	Type	Order number		
Shaft dia. 6 mm	130	OMP6X130	1SCA022057R0570	•	•
Shaft dia. 6 mm	150	OMP6X150	1SCA022295R5600	•	•
Shaft dia. 6 mm	161	OMP6X161	1SCA022067R1760	•	•
Shaft dia. 6 mm	210	OMP6X210	1SCA022295R6080	•	•
Shaft dia. 6 mm	290	OMP6X290	1SCA022042R6370	•	•
Shaft dia. 12 mm	166	OMP12X166	1SCA022325R7100		
Shaft dia. 12 mm	185	OMP12X185	1SCA022325R6710		
Shaft dia. 12 mm	250	OMP12X250	1SCA022325R6980		
Shaft dia. 12 mm	280	OMP12X280	1SCA022137R5140		
Shaft dia. 12 mm	325	OMP12X325	1SCA022042R5810		
Shaft dia. 12 mm	395	OMP12X395	1SCA022042R5990		
Shaft dia. 12 mm	465	OMP12X465	1SCA022042R6020		
Shaft dia. 12 mm	535	OMP12X535	1SCA022042R6110		



<b>OTDC200E02</b>	<b>OTDC250E02</b>	<b>OT315E23P</b>	<b>OT400E23P</b>	<b>OT630E23P</b>	<b>OT630E23P31</b>
1SCA123687R1001	1SCA125866R1001	1SCA101113R1001	1SCA103717R1001	1SCA110644R1001	1SCA111409R1001
1000 VDC / 2	1000 VDC / 2	800 VDC / 5	800 VDC / 5	800 VDC / 5	800 VDC / 5
<b>OTDC200US02</b>		<b>OT315E33P</b>	<b>OT400E33P</b>	<b>OT630E33P</b>	<b>OT630E33P31</b>
1SCA126121R1001		1SCA103723R1001	1SCA103355R1001	1SCA107832R1001	1SCA111410R1001
1000 VDC / 2		1000 VDC / 6	1000 VDC / 6	1000 VDC / 6	1000 VDC / 6

•	•				
•	•				
•	•				
•	•				
		•	•		
		•	•		
				•	•
				•	•
				•	•
				•	•
				•	•

•	•				
•	•				
•	•				
•	•				
•	•				
		•	•		
		•	•		
		•	•	•	•
		•	•	•	•
		•	•	•	•
		•	•	•	•
		•	•	•	•

# Quick selection tool

## DC-switch-disconnectors for base mounting OTDC100...250 and OT315...630E23/33



### DC-Switch-disconnector

Order number

**OTDC100E02**  
1SCA125822R1001

**OTDC160E02**  
1SCA125840R1001

Operational voltage / Number of poles

1000 VDC / 2

1000 VDC / 2

### DC-Switch-disconnector

Order number

**OTDC100US02**  
1SCA126155R1001

Operational voltage / Number of poles

1000 VDC / 2

### Auxiliary contacts

	Type	Order number		
1 NC	OA3G01	1SCA022456R7410	•	•
1 NO	OA1G10	1SCA022353R4970	•	•

### Terminal shroud

Short	OTDCS250G1S	1SCA125563R1001	•	•
-------	-------------	-----------------	---	---

### Short-circuit link

	Type	Order number		
	OEZXY91	1SCA125290R1001	•	•
	OEZXY76-44	1SCA115625R1001		
	OEZXY76-96	1SCA115627R1001		

### Cover for short-circuit link OEZXY91

	OEZXY92	1SCA127382R1001	•	•
--	---------	-----------------	---	---



**OTDC200E02**

1SCA123687R1001  
1000 VDC / 2

**OTDC250E02**

1SCA125866R1001  
1000 VDC / 2

**OT315E23P**

1SCA101113R1001  
800 VDC / 5

**OT400E23P**

1SCA103717R1001  
800 VDC / 5

**OT630E23P**

1SCA110644R1001  
800 VDC / 5

**OT630E23P31**

1SCA111409R1001  
800 VDC / 5

**OTDC200US02**

1SCA126121R1001  
1000 VDC / 2

**OT315E33P**

1SCA103723R1001  
1000 VDC / 6

**OT400E33P**

1SCA103355R1001  
1000 VDC / 6

**OT630E33P**

1SCA107832R1001  
1000 VDC / 6

**OT630E33P31**

1SCA111410R1001  
1000 VDC / 6

•  
•

•  
•

•  
•

•  
•

•  
•

•  
•

•

•

•

•

•

•

•

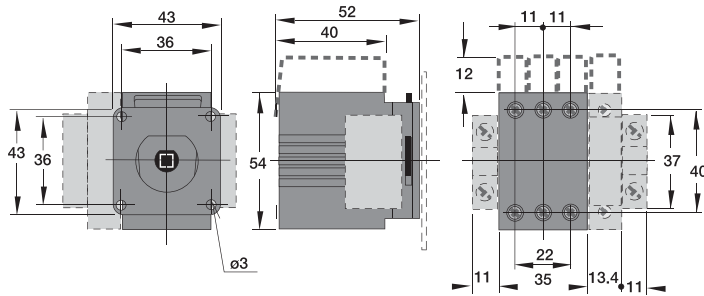
•

•

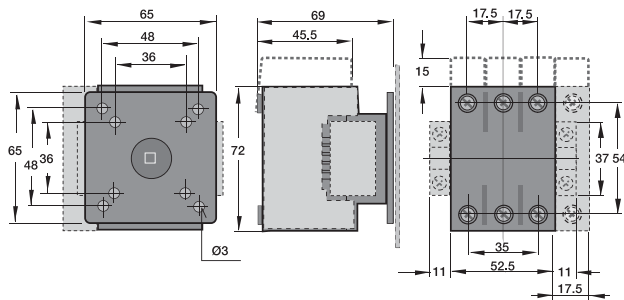
•

# Dimension drawings Switch-disconnectors

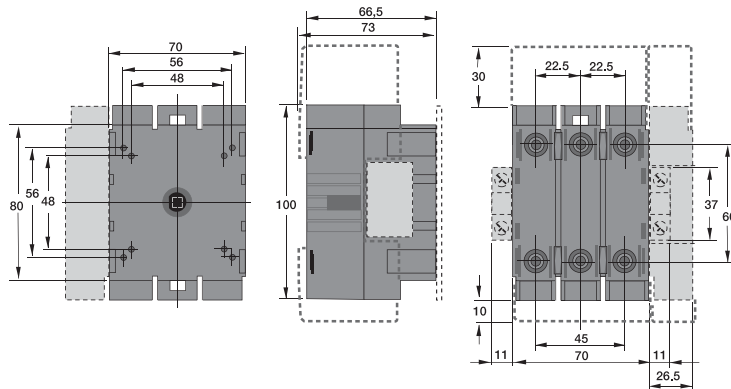
## OT16...40FT3/FT4



## OT63...80FT3/FT4



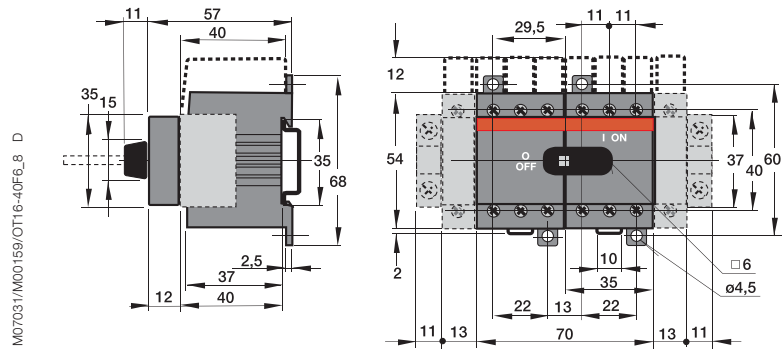
## OT100...125FT3/FT4



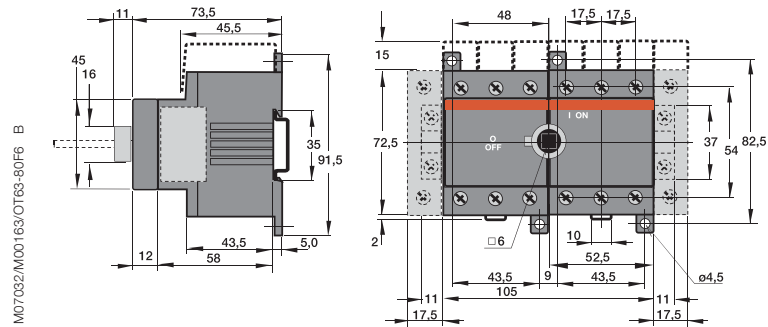
# Dimension drawings

## Switch-disconnectors

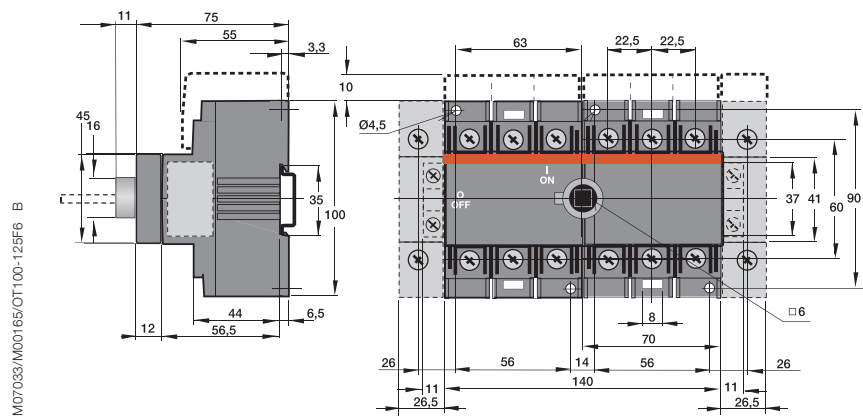
### OT16...40F3/F4/F6/F8



### OT63...80F3/F4/F6/F8



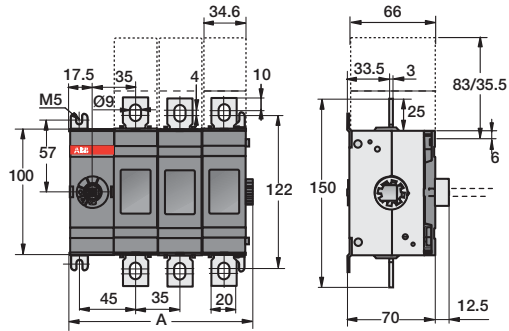
### OT100...125F3/F4/F6/F8



# Dimension drawings

## Switch-disconnectors

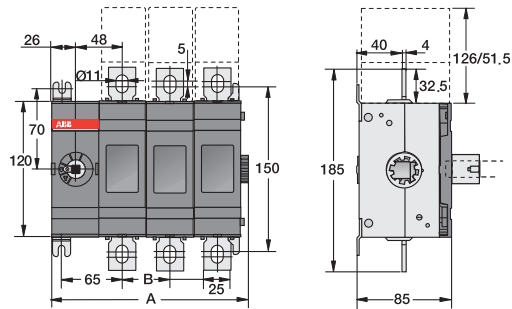
### OT160...250E03/04\_



OT160...250E\_

[mm]	E01	E02	E03	E04	E23	E33
A	75,5	110,5	145,5	180,5	220,5	255,5

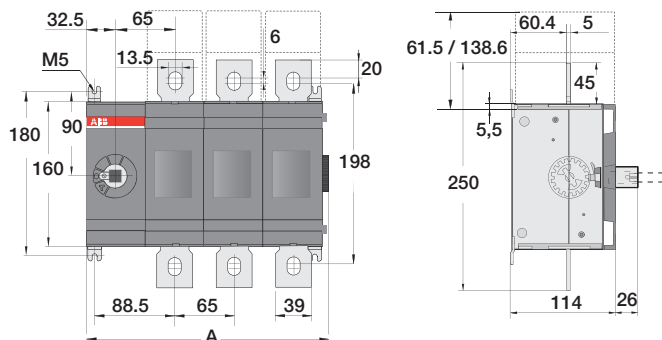
### OT315...400E03/04/23/33\_



OT315...400E\_

[mm]	E01	E02	E03	E04	E23	E33
A	103	147	191	235	284	328

### OT630...800E03/04\_, OT630E23/33



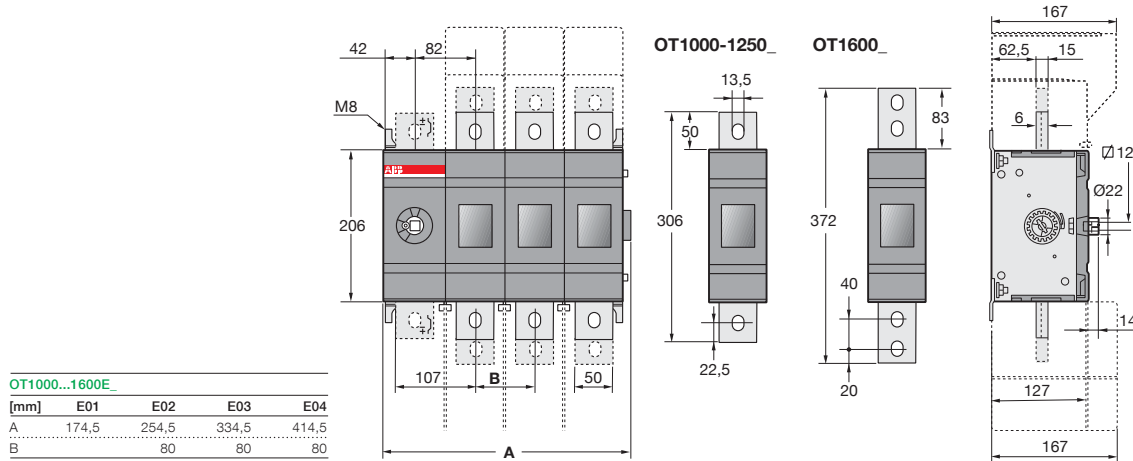
OT630...800E\_

[mm]	E01	E02	E03	E04	E11	E12	E13	E22	E23	E33
A	136	201	266	331	201	266	331	331	396	461

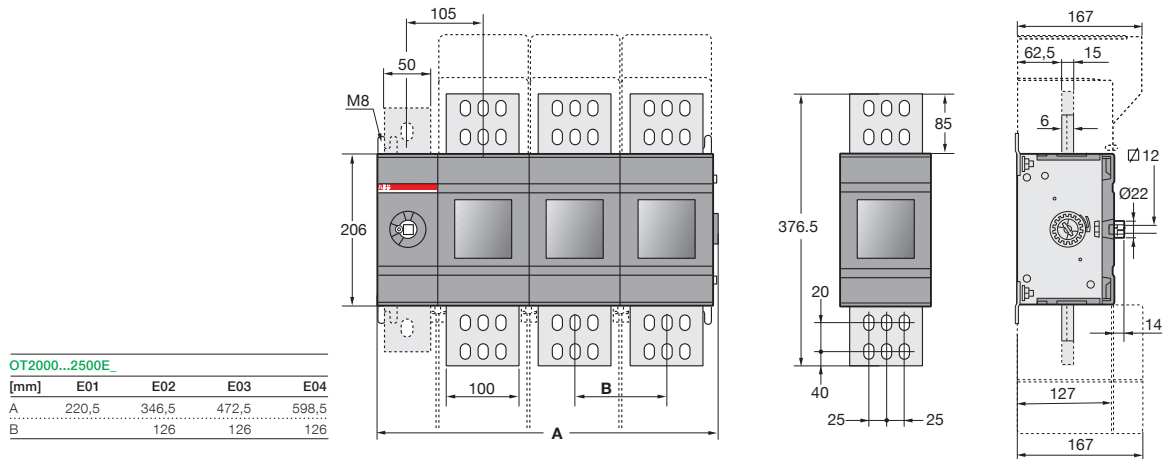


# Dimension drawings Switch-disconnectors

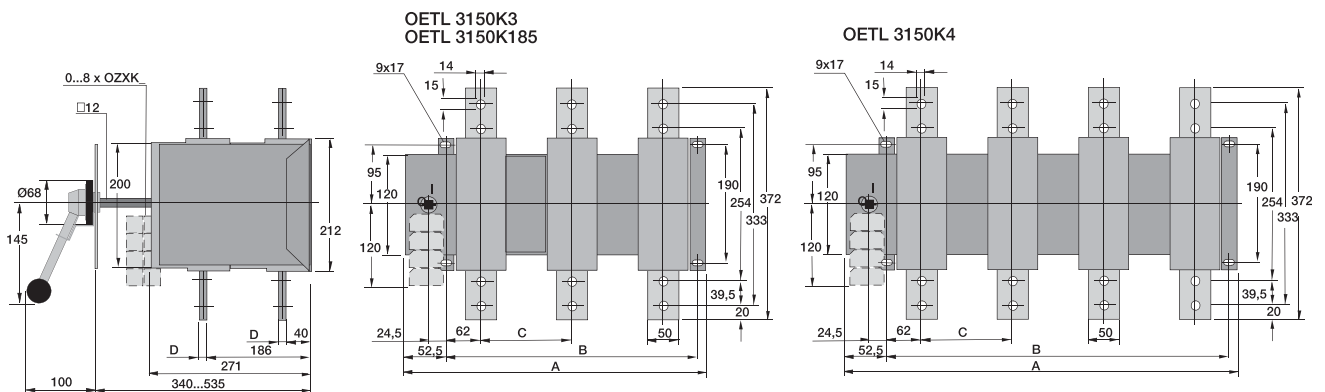
## OT1000...1600E03/04\_



## OT2000...2500E03/04\_



## OETL3150K3/4

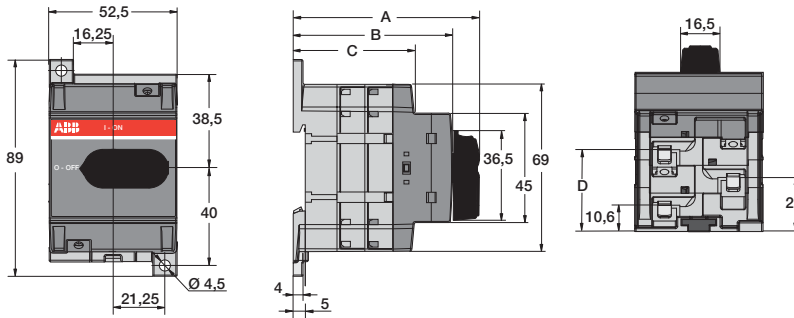


S00667A

# Dimension drawings

## Switch-disconnectors

### OTDC16...32F2/F3/F4



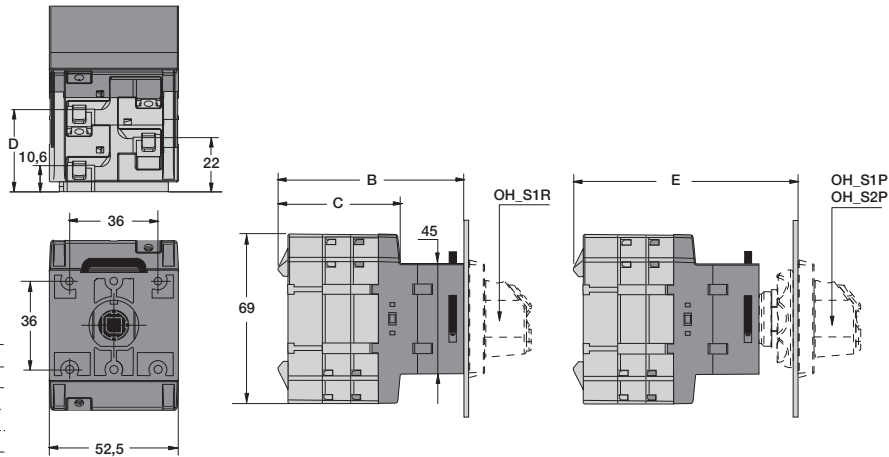
#### OTDC16...32F\_

Dimension [mm]

Number of poles	A	B	C	D
2	66,2	54,1	38,3	22
3	77,6	65,5	49,7	33,4
4	89	76,9	61,1	44,8

S07151 / M03371 / OTDC16-32\_ B

### OTDC16...32FT2/FT3/FT4

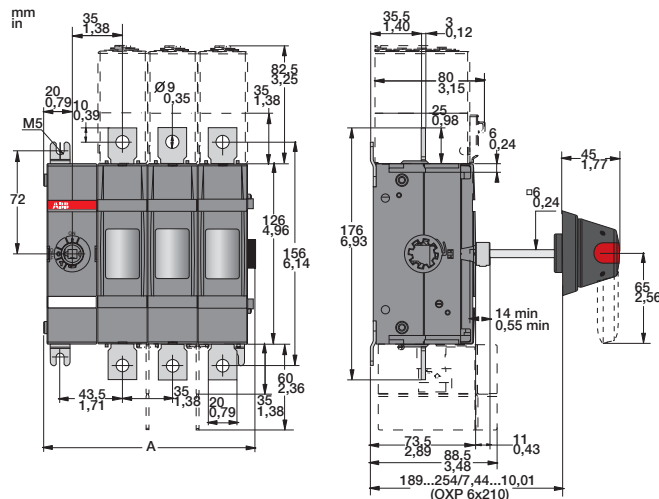


#### OTDC32FT\_

[mm/in]	B	C	D	E
FT2	64,1	38,3	22	79,9
FT3	75,5	49,7	33,4	91,3
FT4	86,9	61,1	44,8	102,7

M00416/OTDC32FT-1 B

### OTDC100...250E02



#### OTDC100, 160, 200, 250E01...04

OTDC 100, 200U01...04

[mm/in]	01	02	03	04
A	78/3,07	113/4,45	148/5,83	183/7,21
A1	52/2,05	87/3,43	122/4,81	157/6,18
B1	70/2,76	105/4,14	140/5,51	175/6,89
C1	88/3,46	123/4,85	158/6,22	193/7,6

M00414/OTDC200-250E01-04 A



# Contact us

## ABB Oy

### Breakers and Switches

P.O. Box 622

FI-65101 Vaasa, Finland

Phone: +358 10 22 11

Fax: +358 10 22 45708

E-Mail: [firstname.surname@fi.abb.com](mailto:firstname.surname@fi.abb.com)

[www.abb.com](http://www.abb.com)

The technical data is valid at the time of printing. We reserve the right to subsequent alterations.

This panorama contains an overview of the products in our portfolio. For further information, refer to the catalogue OT\_OETL1GB 1SCC301001C0201.

